

DONEYLOOP  
CASTLEFIN  
CO. DONEGAL

TEL: 9146379  
CODE: (074)



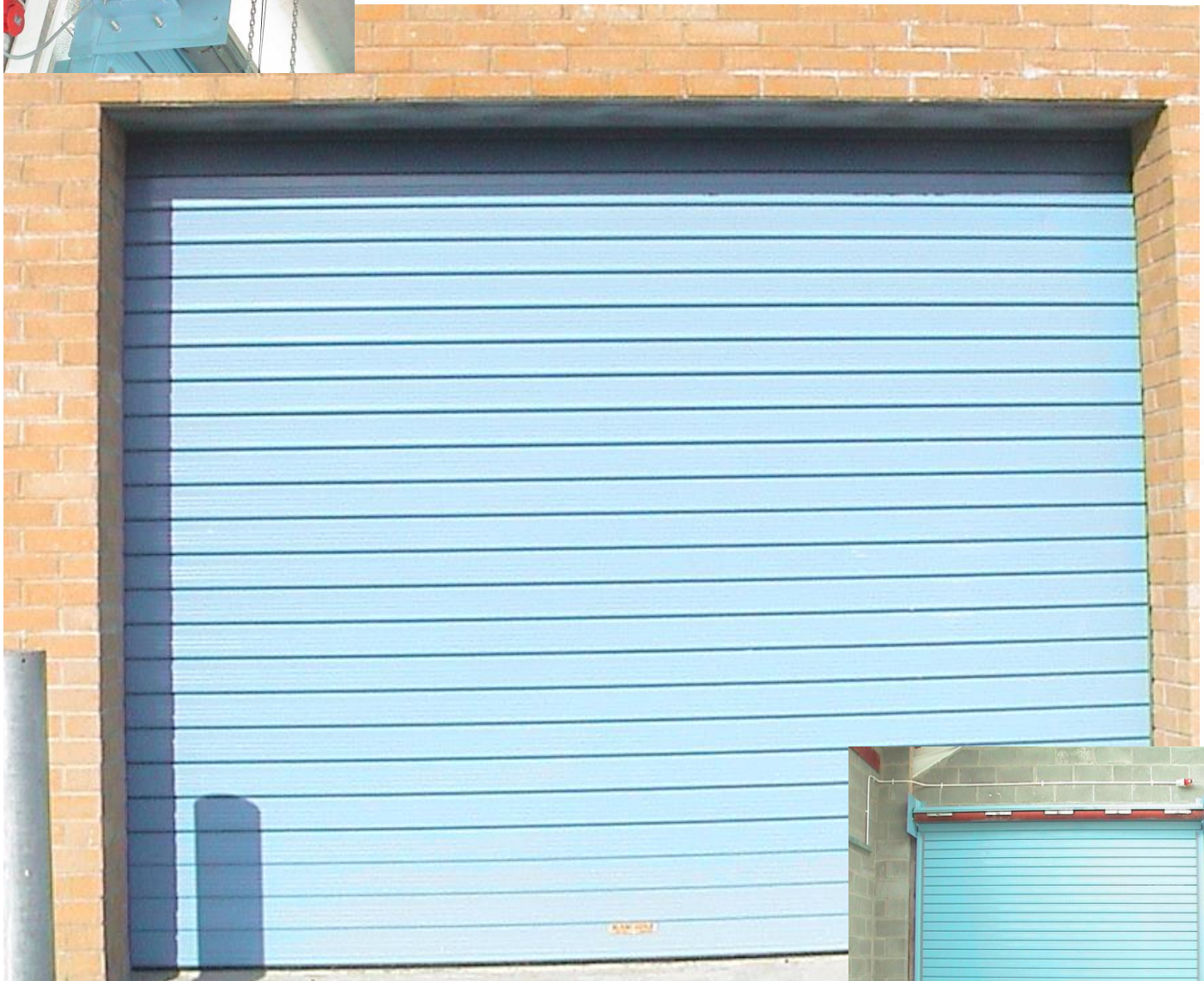
4 ORCHARD ROAD  
STRABANE  
CO TYRONE  
BT82 9QR

TEL: 71382936  
CODE: (028)

## Insulated Double Skin Roller Shutter



*Safe Drive Motor*



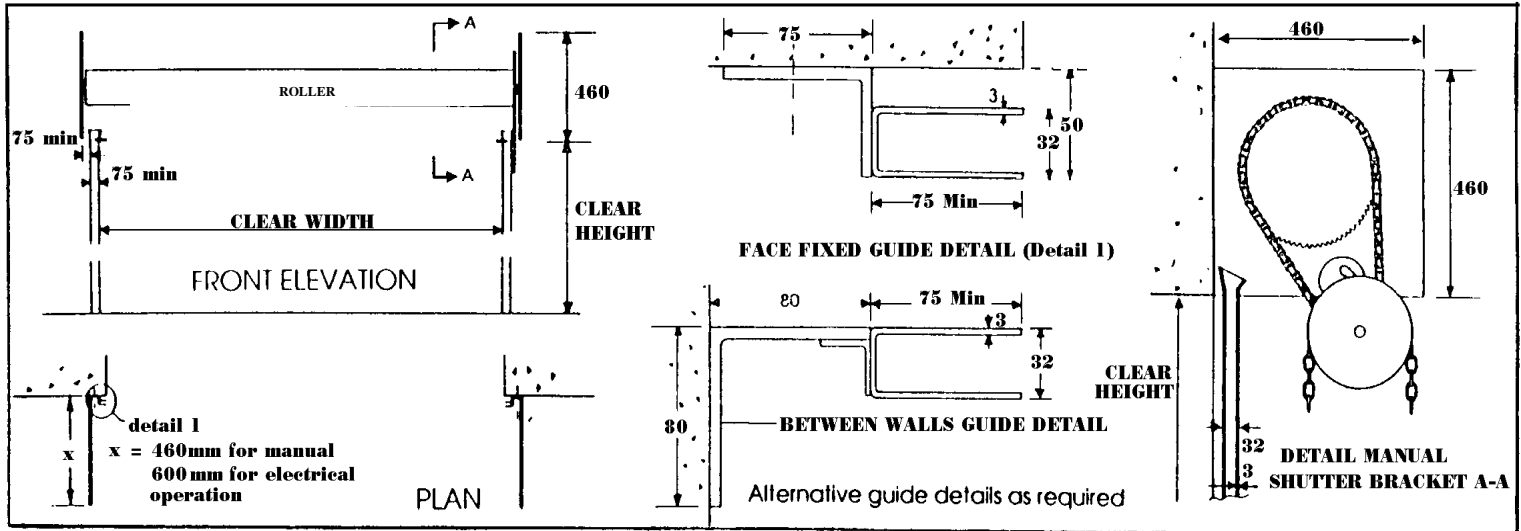
22mm approx. → | ←

INSULATED ROLLER SHUTTER DOOR



*Internal View*

# INSULATED ROLLER SHUTTERS



## SPECIFICATION

### Roller

125mm medium steel barrel to BS 1387, minimum wall thickness 10 gauge with 10mm helical springs to fully counter balance curtain weight and provide easy shutter operation.

### Side Guides

Cold rolled 10 gauge galvanized section 75, 100mm or more depending on shutter width, welded to steel angle, other dimensions to suit fixings.

### Curtain

Manufactured from cold rolled Galvanized Steel interlocking laths to form 22mm Double Skin Curtain, complete with Polystyrene Infill insulation material, to give 'U' value 0.69W/m<sup>2</sup>K.

### Brackets

8mm steel mounting plate bolted to mild steel angle to suit fixings. Complete with cast "u" brackets and chain drive from hand chain wheel to roller, complete with chain tension adjustment.

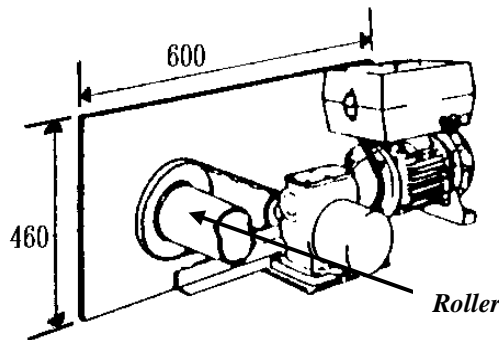
### Base Section

Includes a neoprene weather seal.

### Electric Operation

(option)

Single Phase or 3 phase motor gear box unit controlled by DOL rev, starter with thermal overload and gear driven limit switch unit. With integral declutching for manual (hand chain) operation in the event of power failure.



### Brackets to suit opening heights up to;

Height	Bracket	Motor
3.0m	400x400mm	400x600mm
5.0m	460x460mm	460x600mm
7.0m	600x600mm	600x800mm

**NB:** All above gauges are minimum and are increased as required on larger shutters. In keeping with our policy of continued improvement the manufacturer reserves the right to alter specifications without prior notice.

## Handchain Operated Door

